

Chapter 6, Problem 21.

Determine the equivalent capacitance at terminals $a - b$ of the circuit in Fig. 6.55.

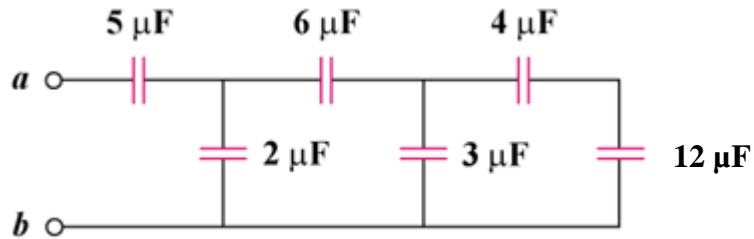


Figure 6.55

Chapter 6, Problem 51.

Determine L_{eq} at terminals $a - b$ of the circuit in Fig. 6.73.

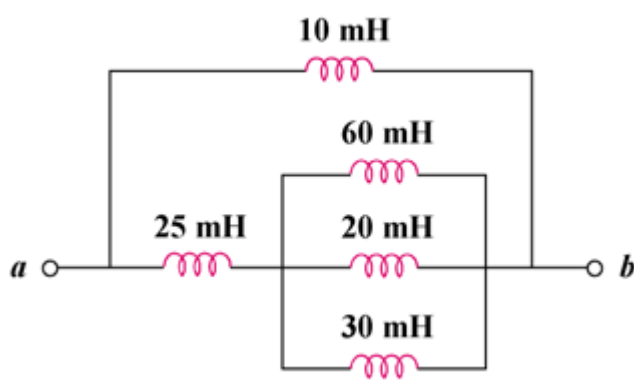


Figure 6.73

Chapter 6, Problem 55.

Find L_{eq} in each of the circuits of Fig. 6.77.

