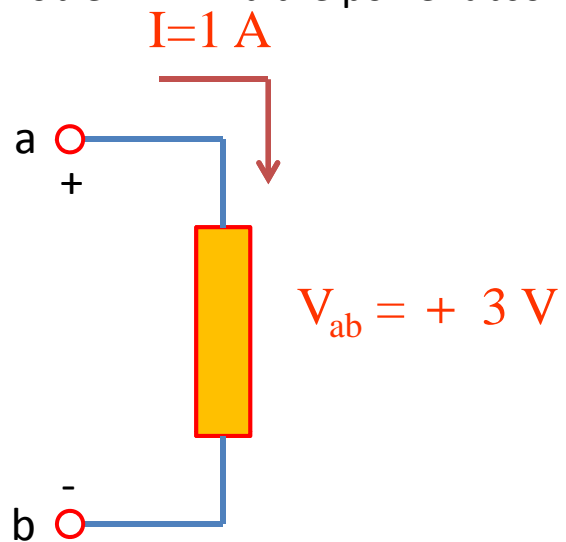


# EECS 70A: Network Analysis

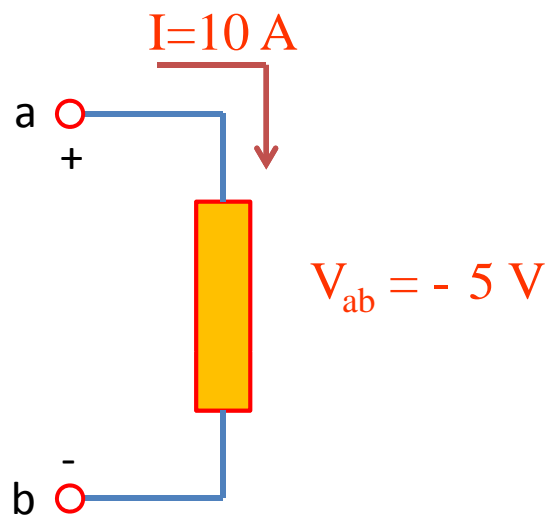
## Homework #1

Due in discussion section,  
Wednesday, April 7, 2010.

Problem 1: Find the power absorbed or supplied by the element.

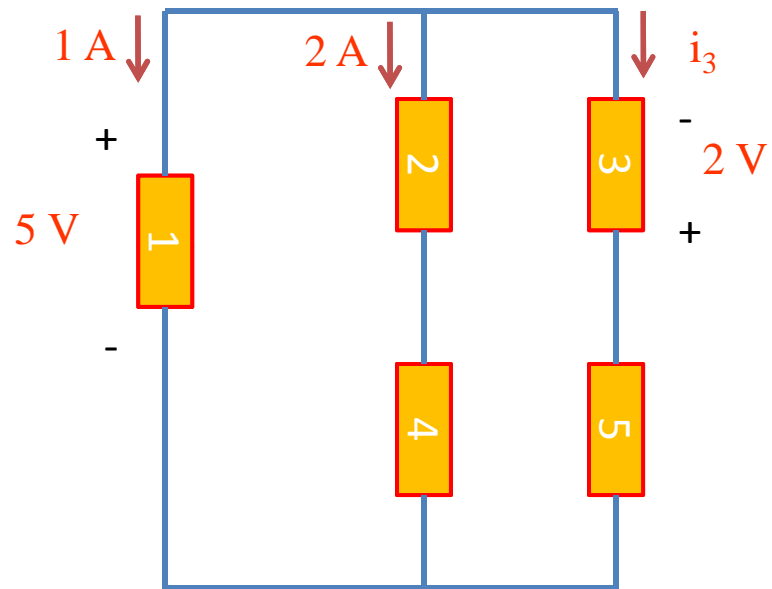


Problem 2: Find the power absorbed or supplied by the element.



Problem 3:

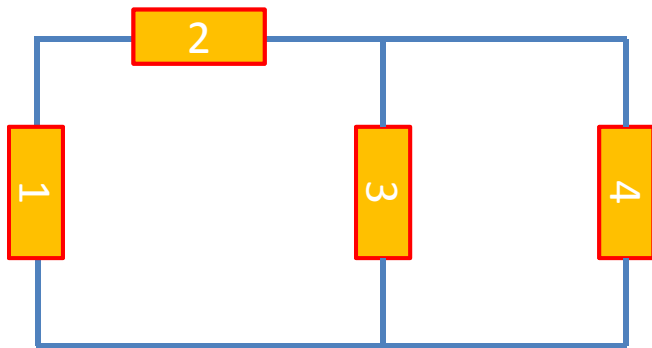
- Find  $i_3$ .
- Find the power absorbed or supplied by element 3.
- Is element 3 a source or a sink?



Problem 4: (Power balance)

Assume  $P_1 = 10 \text{ W}$ ,  $P_2 = 30 \text{ W}$ ,  $P_3 = -5 \text{ W}$ .

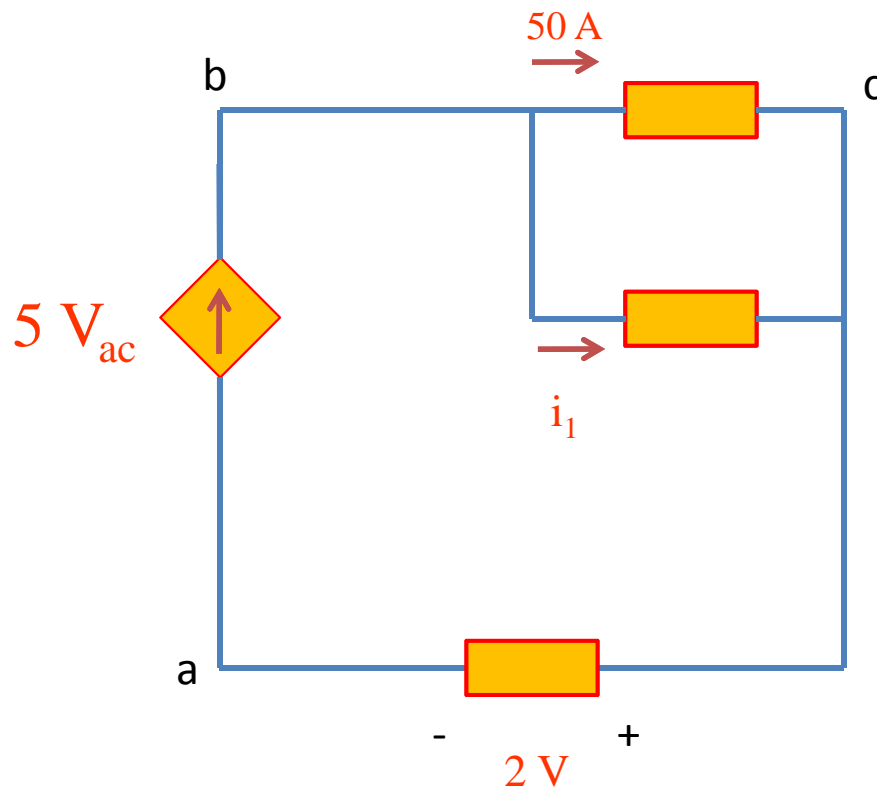
Find the power absorbed or supplied by element 4. Is it a source or a sink?



Problem 5: (VCCS)

Find  $i_1$ .

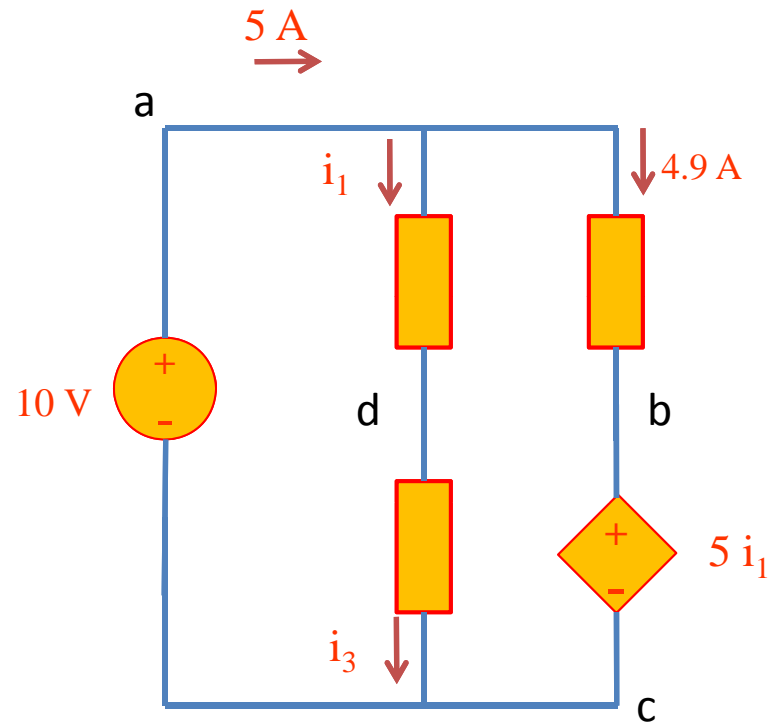
Is current flowing from b to c or from c to b?



Problem 6: (CCVS)

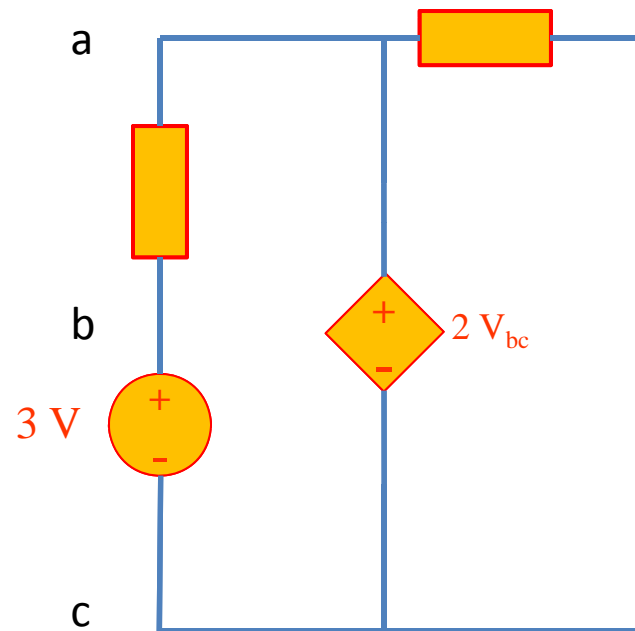
Find  $i_1, i_3$ .

Find  $V_{bc}$ .



Problem 7: (VCVS)

Find  $V_{ac}$ .



Problem 8: (CCCS)

Find  $i_1$ .

