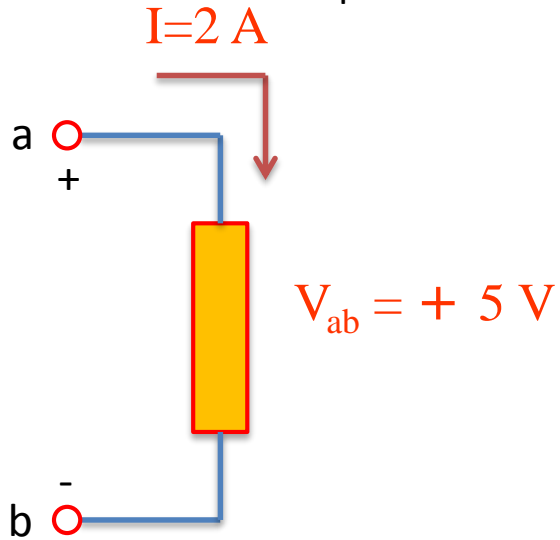


EECS 70A: Network Analysis

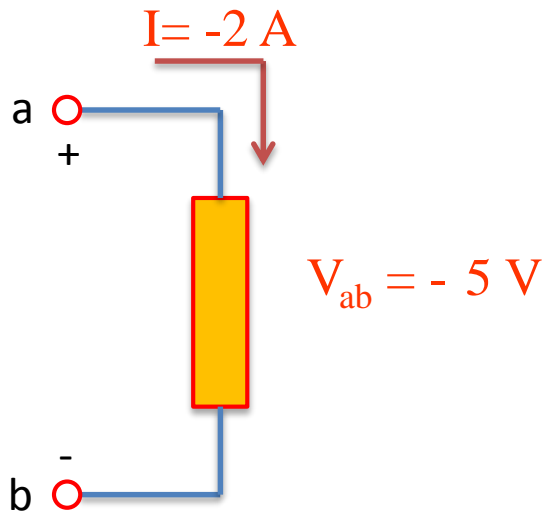
Homework #1

Due on 4/10/2014, Thursday 17:30
at EH 3404

Problem 1: Find the power absorbed or supplied by the element.

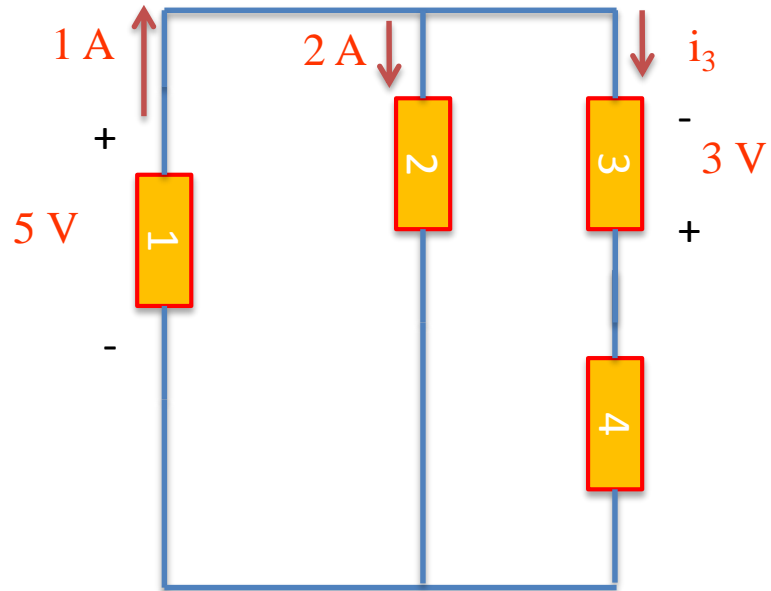


Problem 2: Find the power absorbed or supplied by the element.



Problem 3:

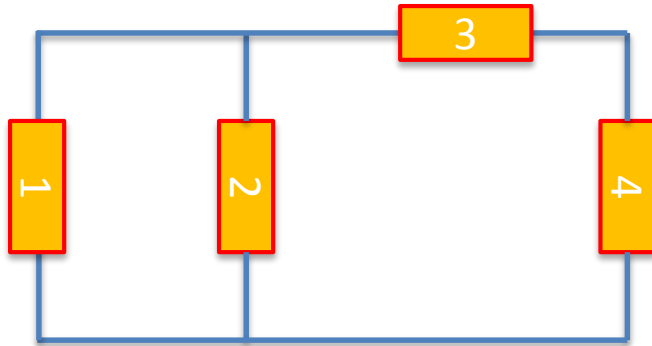
- Find i_3 .
- Find the power absorbed or supplied by element 3.
- Is element 3 a source or a sink?



Problem 4: (Power balance)

Assume $P_1 = 10 \text{ W}$, $P_2 = 30 \text{ W}$, $P_3 = -5 \text{ W}$.

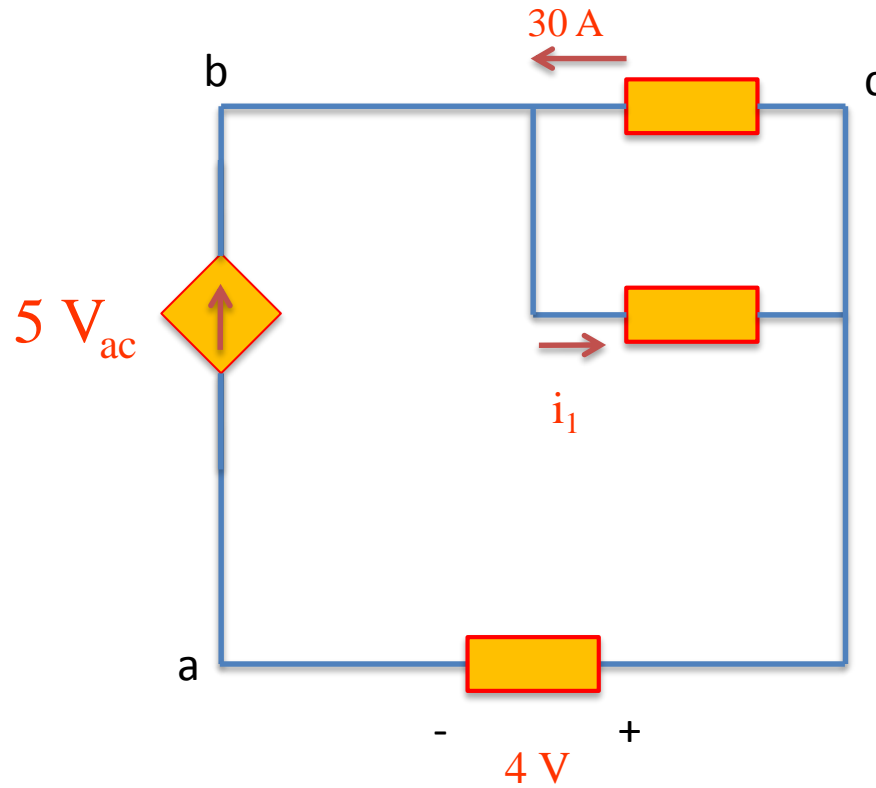
Find the power absorbed or supplied by element 4. Is it a source or a sink?



Problem 5: (VCCS)

Find i_1 .

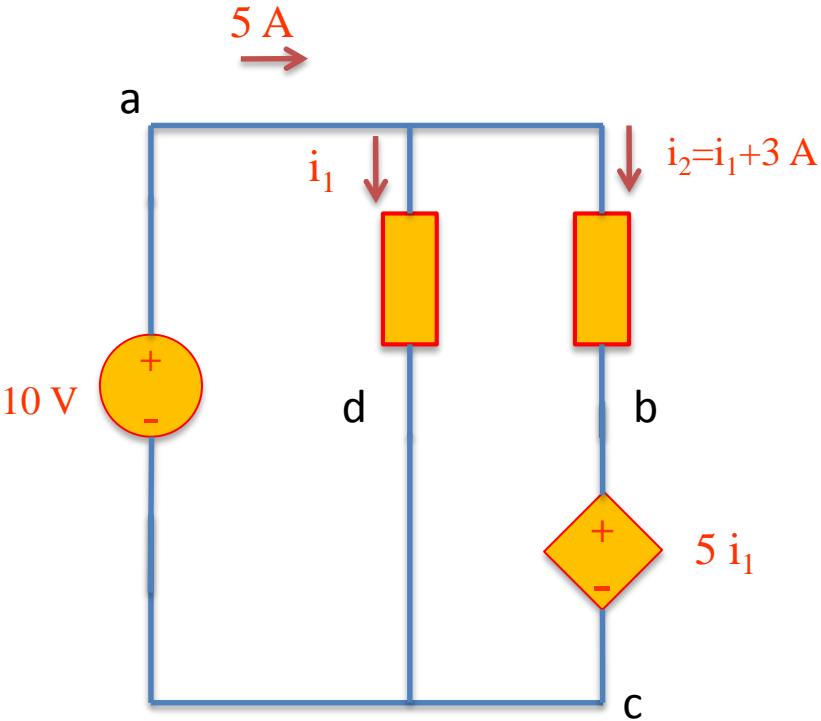
Is current flowing from b to c or from c to b?



Problem 6: (CCVS)

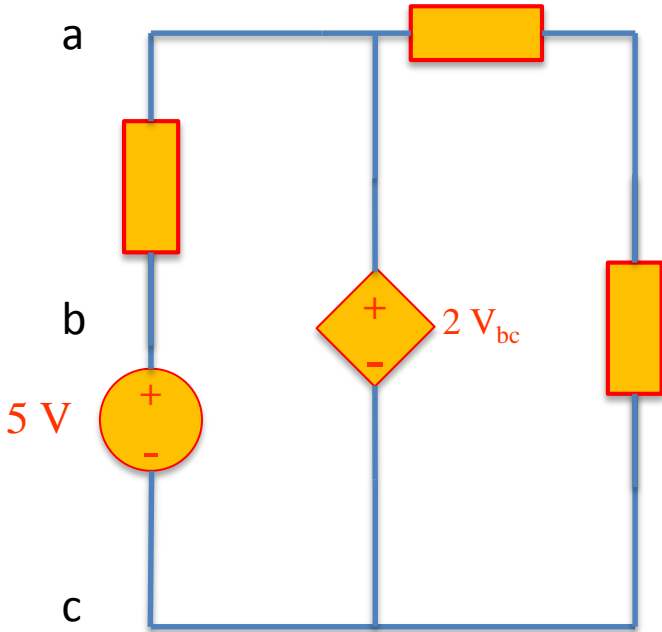
Find i_1, i_2 .

Find V_{bc} .



Problem 7: (VCVS)

Find V_{ac} .



Problem 8: (CCCS)

Find i_1 .

