

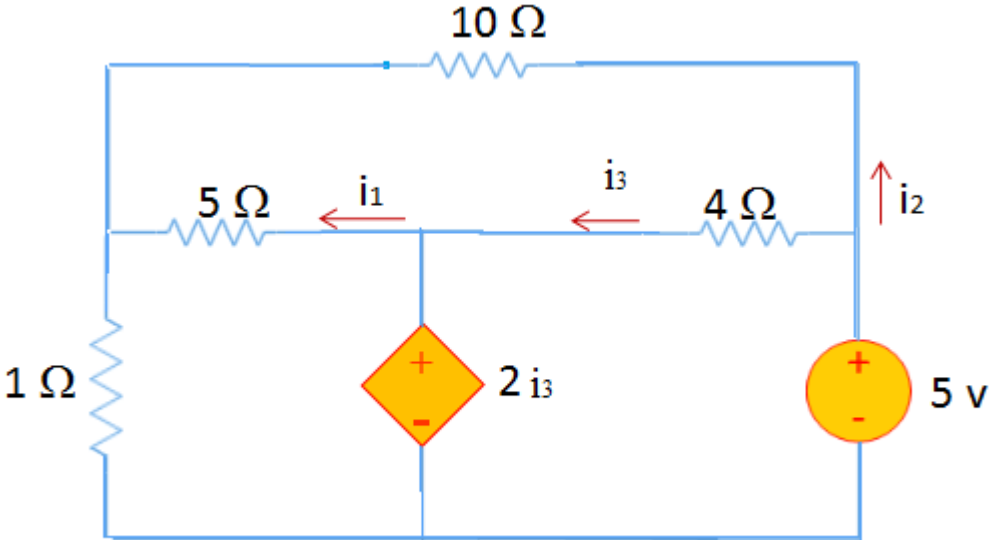
EECS 70A: Network Analysis

Homework #3

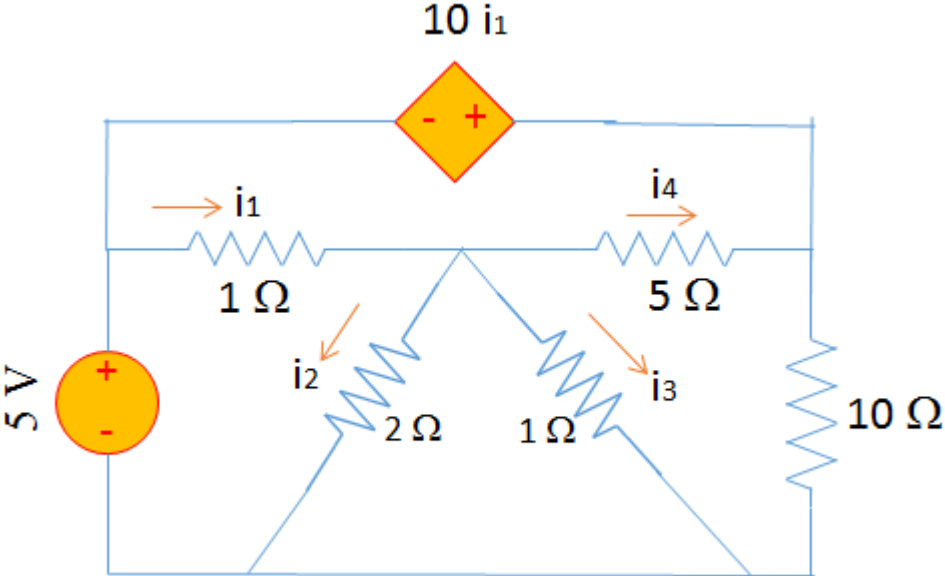
The homework is due Thursday 7/05/2015 at 5pm.
You can choose either way to turn in your homework

- 1) Turn it in during discussions (Highly recommended)
- 2) Turn it in during TA office hour
- 3) EEE Dropbox

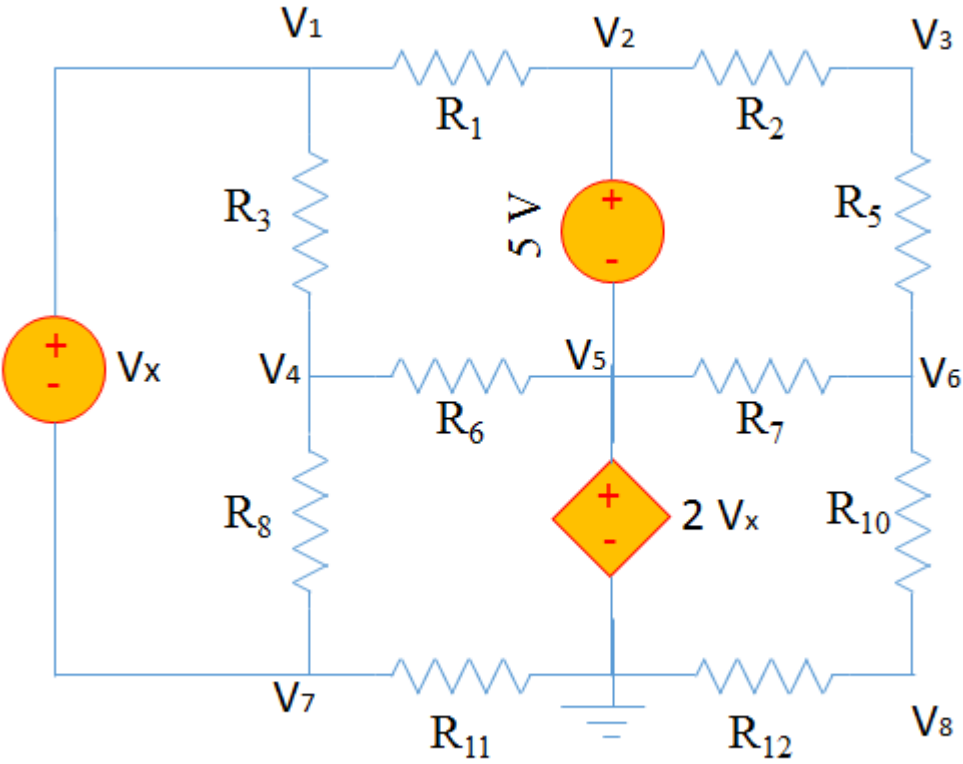
Problem 1: Use nodal analysis to find all node voltages. Find all the currents.



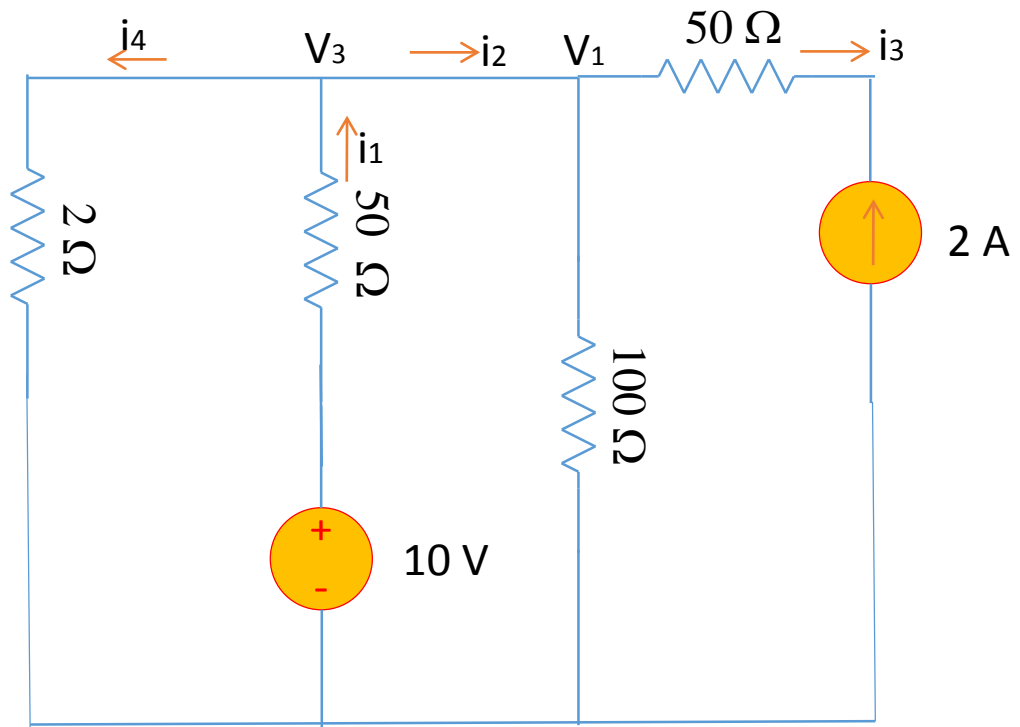
Problem 2: Use nodal analysis to find all the node voltages and currents



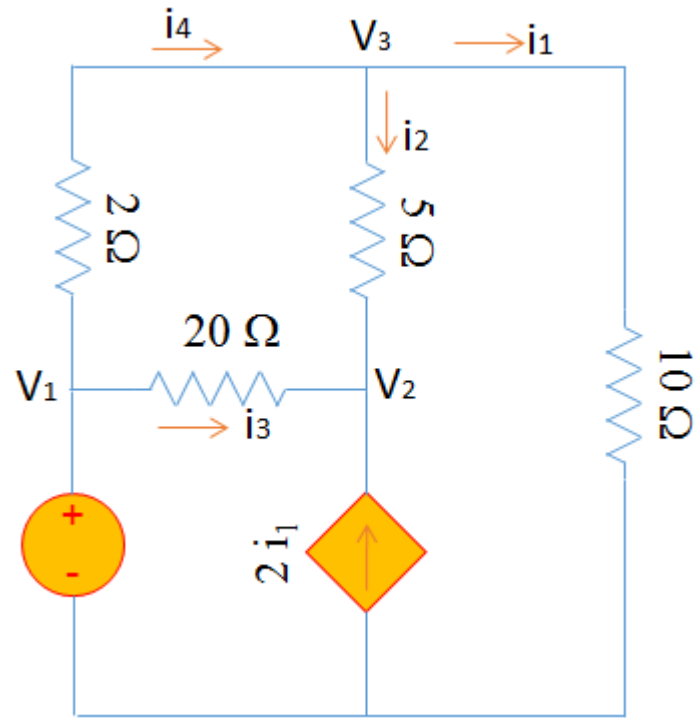
Problem 3: Write all the node voltage equations and put them in the matrix form. You don't need to solve



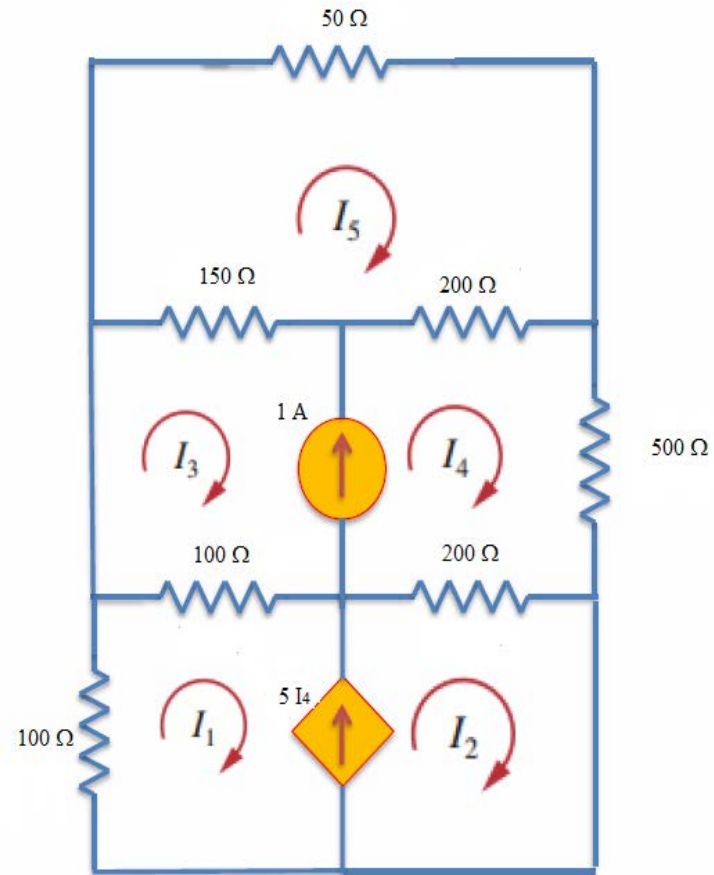
Problem 4: use mesh analysis to find all the currents and node voltages.



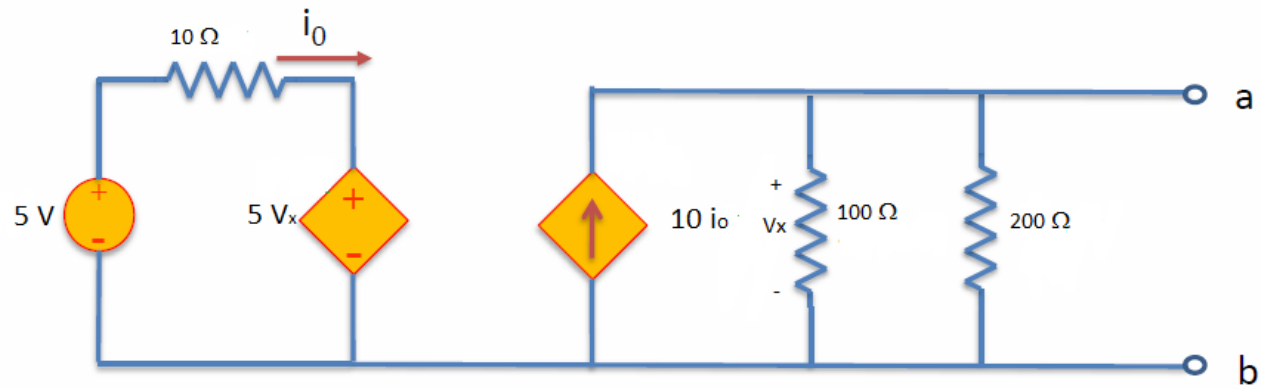
Problem 4: use mesh analysis to find all the currents and node voltages.



Problem 6: Write all the mesh current equations and put them in the matrix form. You don't have to solve.



Problem 7: Obtain the Thevenin and Norton equivalent as seen from a-b terminals



Problem 8: Obtain the Thevenin and Norton equivalent as seen from a-b terminals

